



AstroFan FFU - EC

Product Overview

- Whisper-quiet operation as low as 49 dBA
- Enhanced overall rigidity for unmatched performance
- Motor accessible from either top or bottom
- Comes with smart electronic control (EC) FFU system (AstroDrive)
- Full interface control, vector scaling
- High speed signal feedback feature
- Energy-efficient EC motor compared to AC alternatives
- Easy installation and set up at the site
- AstroDrive can control up to 62,992 FFU units in one installation



Filter Specification

EN1822	H13 - U17
ISO 29463	ISO 35 H - ISO 75 U
Filter Depth (mm)	69, 93, 117
Media Type	Fibreglass, ePTFE, eFRM
Frame Material	Aluminium
Separator Style	Hot Melt
Gasket Material	PU, Neoprene, EPDM
Gasket Position	Upstream, Downstream, Both Sides
Faceguard Position	Both Sides
Antimicrobial Available	Optional
Recommended Final Resistance	500 Pa
Max Operating Temperature	70°C

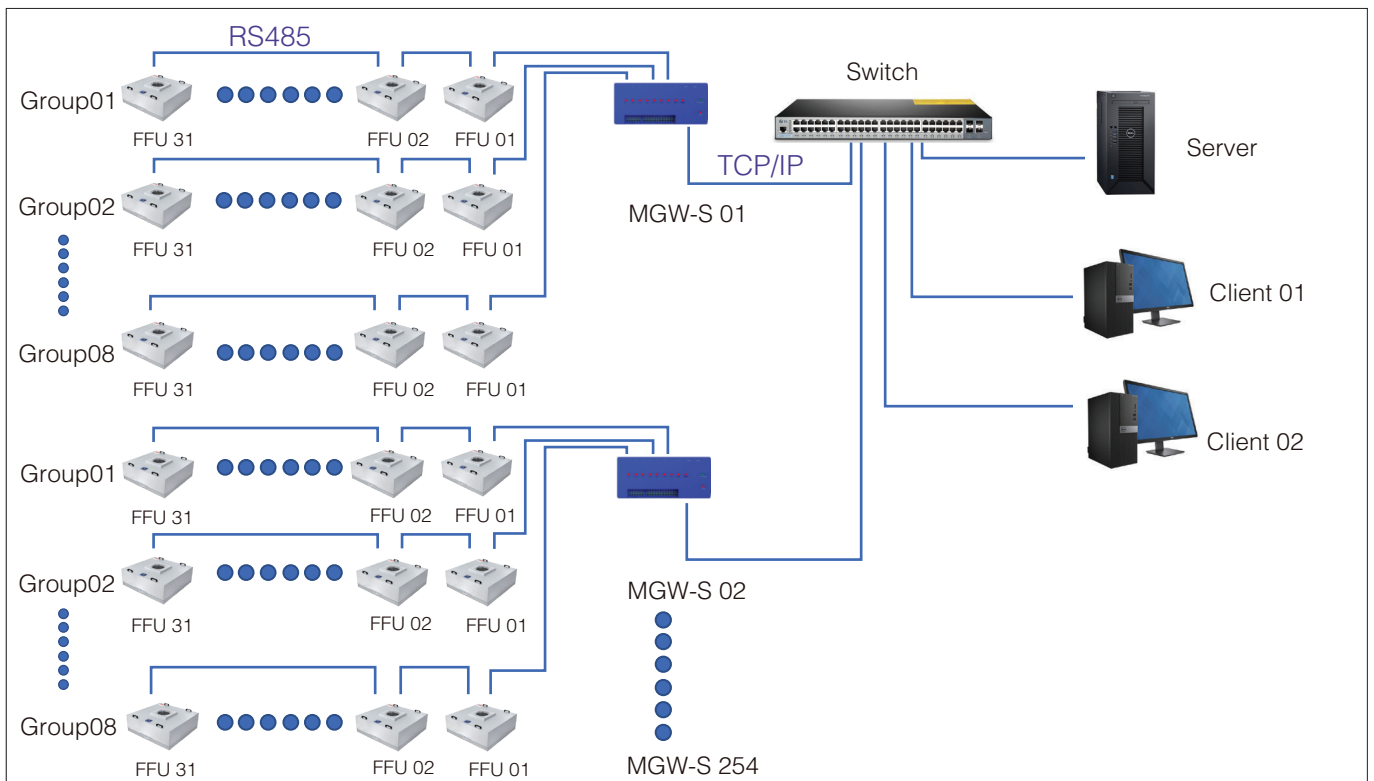
Housing Specification

Housing Depth (mm)	280, 295, 315
Safety Guard Depth (mm)	35
Housing Material	Galvalume, Stainless Steel, Aluminium
Power Supply	1Ph/50/60Hz/230VAC
Air Velocity	0.45 m/s +/- 20%
Control Method	AstroDrive Software
Sound Pressure Level	49 - 57 dBA
Pre-filter	Optional
Pressure Port	Optional
Special Size Available	Yes
Installation Method	CRM Ceiling Grid

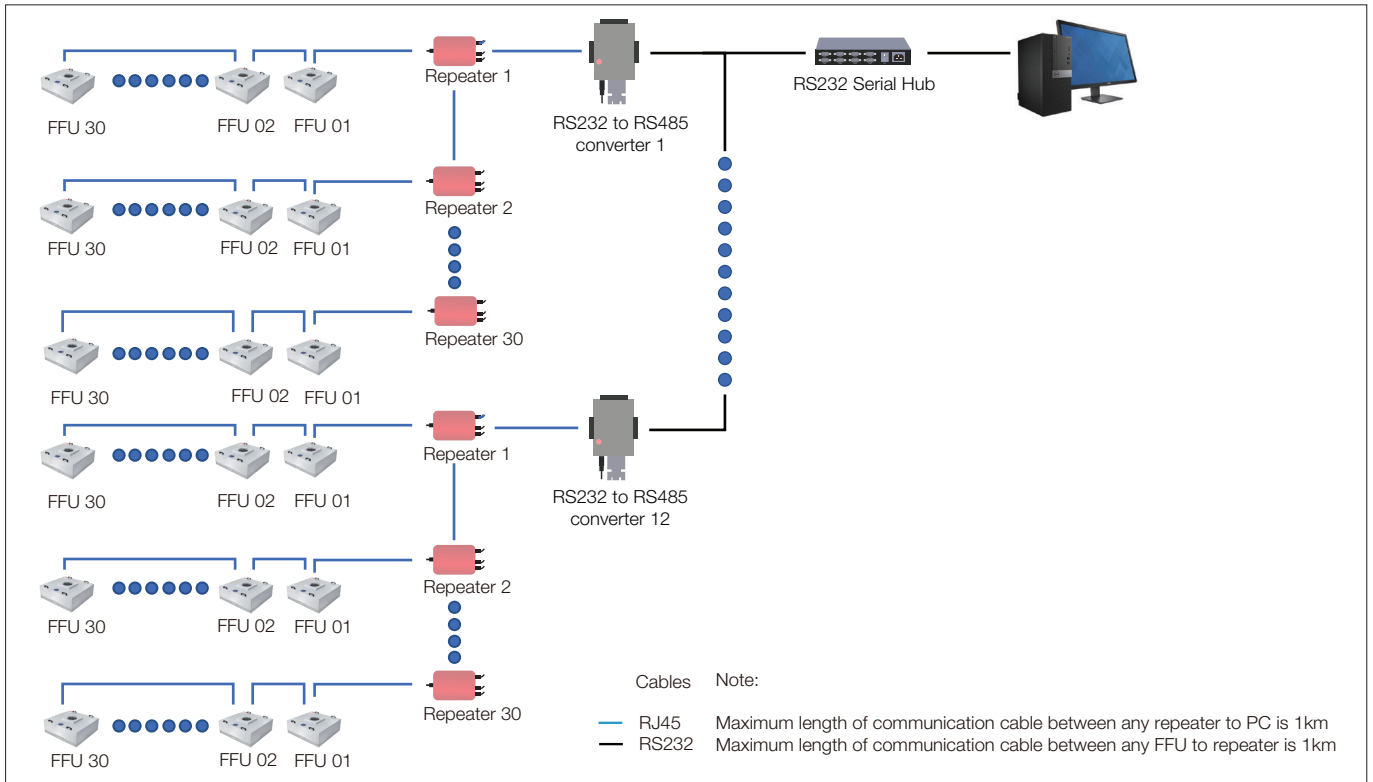
¹For additional information on the various AstroFan FFU-EC solutions, please contact our sales representative.

²SPL are tested 1.5m below the FFU, using 1175x1175x315mm Housing Size with MEGAcel II H14 1170x1170x69mm, at Air Velocity 0.45 m/s.

AstroDrive Electronic Connection Diagram of Control Interface and Gateway



Alternative Electronic Connection Diagram of Control Interface and Gateway



Housing Information

Actual Housing Size mm (H x W x D)	Actual Filter Size mm (H x W)	Rated Airflow (CMH)
1175 x 1175 x (280+35)	1170 x 1170	2,200
575 x 1175 x (280+35)	570 x 1170	1,100

*Please contact our sales representatives for more information.