



AstroCel II (Gel Seal)

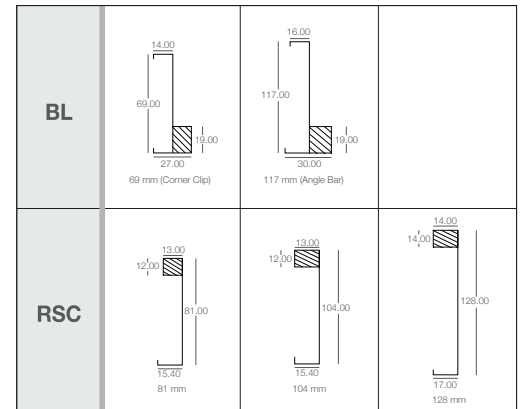
Product Overview

- Individually tested for certified performance
- Reduces operation costs with lowest possible pressure drop from microglass media
- Available in a range of efficiencies
- Lightweight and compact
- Gel seal design



Specification

EN1822	H13 - U17
ISO 29463	ISO 35 H - ISO 75 U
Filter Depth (mm)	Various
Media Type	Fibreglass
Frame Material	Aluminium
Separator Style	Hot Melt
Gasket Material (Standard)	PU Gel
Gasket Material (Optional)	Silicone Gel
Gasket Position	Downstream (BL), Upstream (RSC)
Faceguard	Both Sides
Special Size Available	Yes
Antimicrobial Available	No
Recommended Final Resistance	500 Pa
Max Operating Temperature	70°C
Air Filtration Certification	UL 900, FM 4920,



Product Information

Part Number	Actual Size mm (H x W x D)	Rated Airflow (CMH)	Rated Initial Resistance (Pa)	Gel Position
H13 / ISO 35 H				
M994-203-005	610 x 610 x 69	603	104	BL
M994-203-008	610 x 1220 x 69	1,206		
M964-403-005	610 x 610 x 117	603		
M964-403-008	610 x 1220 x 117	1,206		
M504-203-005	610 x 610 x 81	603	104	RSC
M504-203-008	610 x 1220 x 81	1,206		
M504-503-005	610 x 610 x 104	603	75	
M504-503-008	610 x 1220 x 104	1,206		
M504-403-005	610 x 610 x 128	603	65	
M504-403-008	610 x 1220 x 128	1,206		
H14 / ISO 45 H				
M995-203-005	610 x 610 x 69	603	130	BL
M995-203-008	610 x 1220 x 69	1,206		
M965-403-005	610 x 610 x 117	603	80	
M965-403-008	610 x 1220 x 117	1,206		
M505-203-005	610 x 610 x 81	603	130	RSC
M505-203-008	610 x 1220 x 81	1,206		
M505-503-005	610 x 610 x 104	603	90	
M505-503-008	610 x 1220 x 104	1,206		
M505-403-005	610 x 610 x 128	603	80	
M505-403-008	610 x 1220 x 128	1,206		

¹FM 4920 certificate is only applicable to silicone gel.

*Other filter classifications are available upon request.



AstroCel II (Gel Seal)

Product Information

Part Number	Actual Size mm (H x W x D)	Rated Airflow (CMH)	Rated Initial Resistance (Pa)	Gel Position	
U15 / ISO 55 U					
M997-203-005	610 x 610 x 69	603	140	BL	
M997-203-008	610 x 1220 x 69	1,206			
M967-403-005	610 x 610 x 117	603	85		
M967-403-008	610 x 1220 x 117	1,206			
M507-203-005	610 x 610 x 81	603	140	RSC	
M507-203-008	610 x 1220 x 81	1,206			
M507-503-005	610 x 610 x 104	603	99		
M507-503-008	610 x 1220 x 104	1,206			
M507-403-005	610 x 610 x 128	603	85		
M507-403-008	610 x 1220 x 128	1,206			
U16 / ISO 65 U					
M998-203-005	610 x 610 x 69	603	191		BL
M998-203-008	610 x 1220 x 69	1,206			
M968-403-005	610 x 610 x 117	603	109		
M968-403-008	610 x 1220 x 117	1,206			
M508-203-005	610 x 610 x 81	603	191	RSC	
M508-203-008	610 x 1220 x 81	1,206			
M508-503-005	610 x 610 x 104	603	123		
M508-503-008	610 x 1220 x 104	1,206			
M508-403-005	610 x 610 x 128	603	109		
M508-403-008	610 x 1220 x 128	1,206			

*Other filter classifications are available upon request.